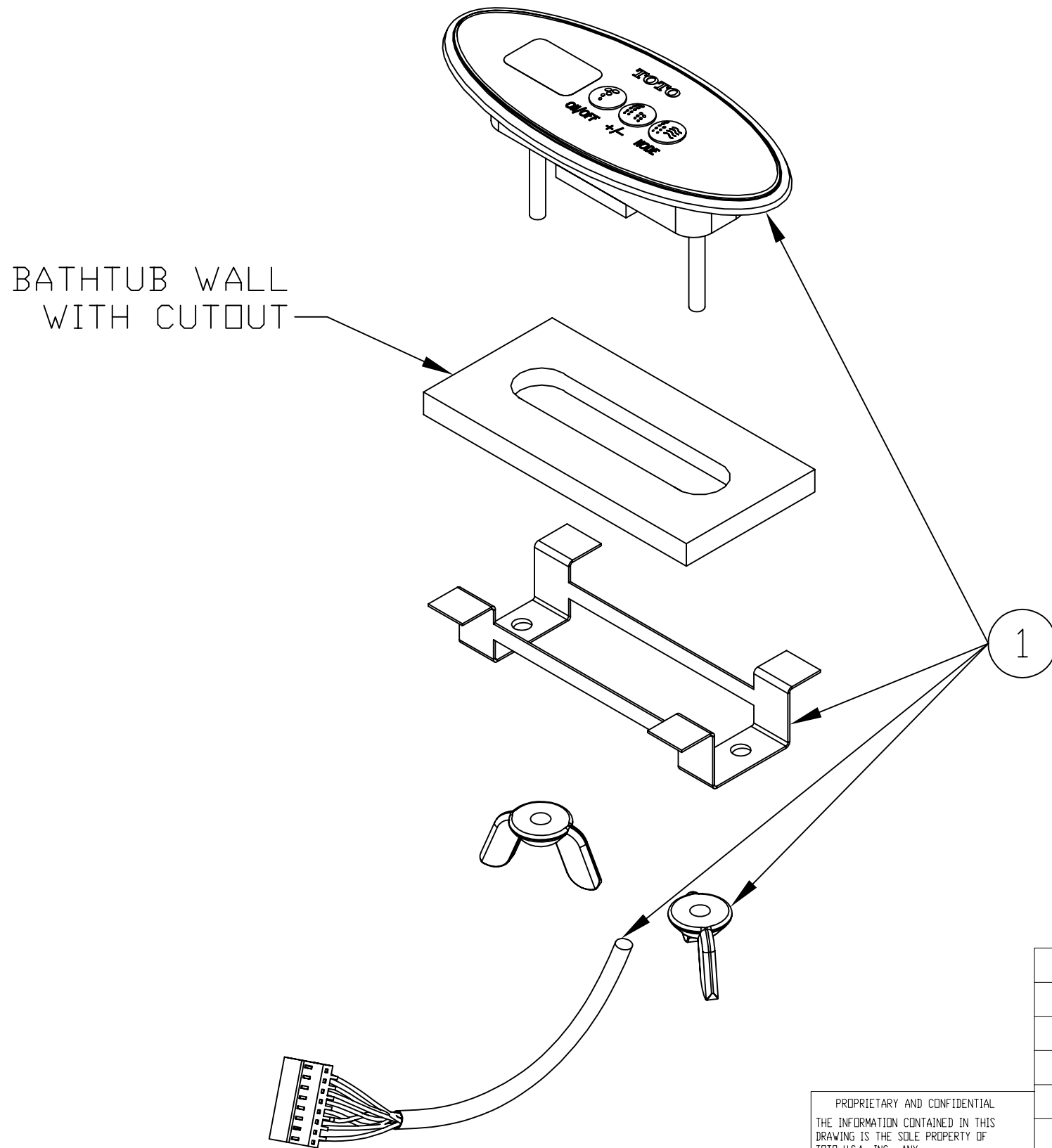


NOTE: SHOWN IS THE KEYPAD
W/ 3 BUTTON OVERLAY.



BATHTUB WALL
WITH CUTOUT

PROPRIETARY AND CONFIDENTIAL
THE INFORMATION CONTAINED IN THIS
DRAWING IS THE SOLE PROPERTY OF
TOTO U.S.A., INC. ANY
REPRODUCTION IN PART OR AS A WHOLE
WITHOUT THE WRITTEN PERMISSION OF
TOTO U.S.A., INC. IS
PROHIBITED.

ITEM	DESCRIPTION	PRODUCTION PART
1	KEYPAD W/ 3 BUTTON OVERLAY UNIVERSAL COLOR	THU5109
1	KEYPAD W/ 3 BUTTON OVERLAY CHROME PLATED	THU5109#CP
1	KEYPAD W/ 4 BUTTON OVERLAY UNIVERSAL COLOR	THU5110
1	KEYPAD W/ 4 BUTTON OVERLAY CHROME PLATED	THU5110#CP

		UNLESS OTHERWISE SPECIFIED:		NAME	DATE	DRAWING STATUS: DRAFT1	
		DIMENSIONS ARE IN INCHES		DRAWN	FRED KIRKSEY	9/17/08	TOTO USA INC. MORROW
		TOLERANCES:		CHECKED			TITLE:
		FRACTIONAL ±		ENG APPR.			AIRBATH PARTS
		ANGULAR: MACH ± BEND ±		MFG APPR.			EXPLODED VIEW
		TWO PLACE DECIMAL ±		Q.A.			SIZE DWG. NO. REV
		THREE PLACE DECIMAL ±		COMMENTS:			B KEYPAD B
		INTERPRET GEOMETRIC TOLERANCING PER:					SCALE: WEIGHT: SHEET 1 OF 1
		MATERIAL					
		TBD					
NEXT ASSY	USED ON	FINISH					
		TBD					
APPLICATION		DO NOT SCALE DRAWING					