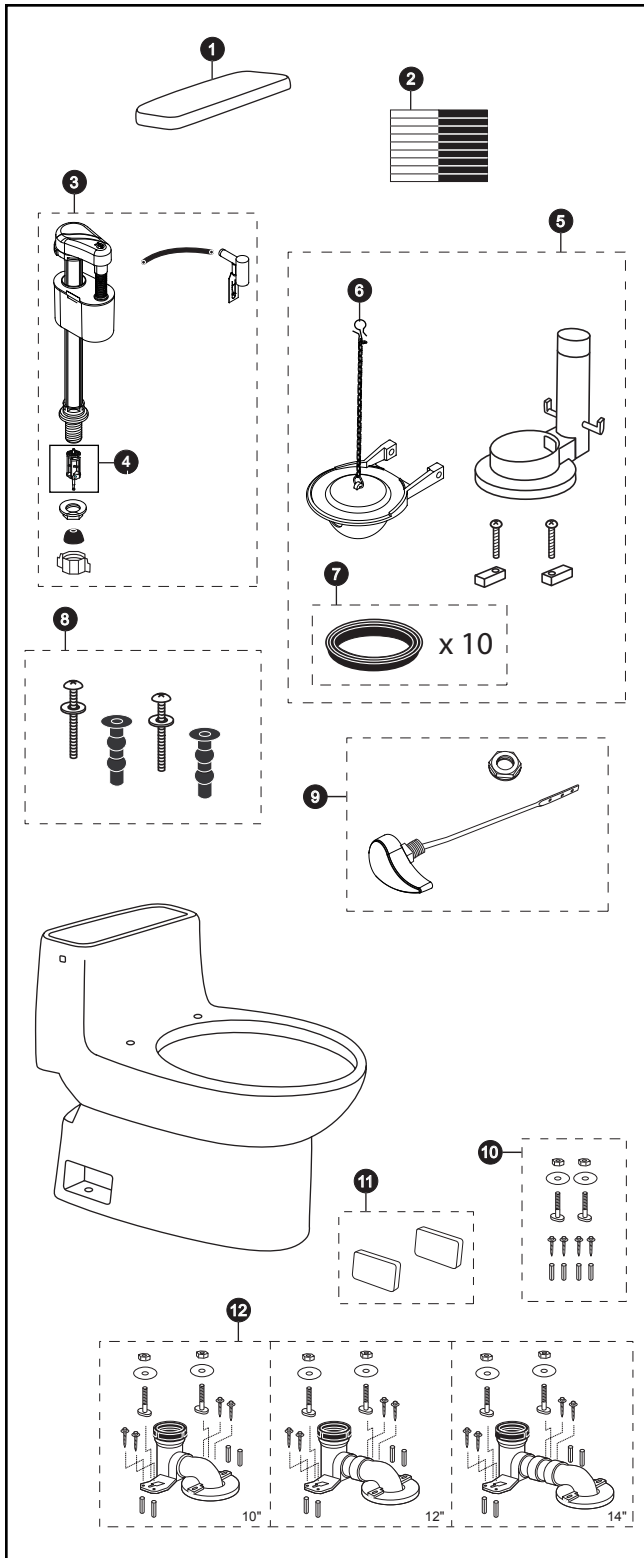


MS874114S & MS874114SG

MS874114S MS874114SG
CST874S CST874SG

Carlyle® 1.6 Gpf Toilet, Elongated, G-Max®, UniFit Rough-In (including SanaGloss®)



Actual product may differ slightly from illustration.

Item	Part	Description
1	TCU854CR#01	Tank Lid w/ Velcro Tape
	TCU854CR#03	Tank Lid w/ Velcro Tape
	TCU854CR#04	Tank Lid w/ Velcro Tape
	TCU854CR#11	Tank Lid w/ Velcro Tape
	TCU854CR#12	Tank Lid w/ Velcro Tape
	TCU854CR#51	Tank Lid w/ Velcro Tape
2	THU107	Velcro Tape
3	TSU18A	Fill Valve
4	THU229	Fill Valve Filter
5	THU013W	Flush Valve
6	THU175S	Flapper w/ Chain
7	THU097	Flush Valve Gaskets (10 Pieces)
8	THU651N	Top Mounting Seat Hardware
9	THU004#01	Trip Lever
	THU004#03	Trip Lever
	THU004#04	Trip Lever
	THU004#11	Trip Lever
	THU004#12	Trip Lever
	THU004#51	Trip Lever
	THU004#BN	Trip Lever
	THU004#CP	Trip Lever
	THU004#PN	Trip Lever
10	THU020	UniFit Mounting Set
11	TCU884CV#01	Side Plates w/ Velcro Tape
	TCU884CV#03	Side Plates w/ Velcro Tape
	TCU884CV#04	Side Plates w/ Velcro Tape
	TCU884CV#11	Side Plates w/ Velcro Tape
	TCU884CV#12	Side Plates w/ Velcro Tape
	TCU884CV#51	Side Plates w/ Velcro Tape
12	TSU01W.10	UniFit - 10" Rough-In
	TSU01W.12R	UniFit - 12" Rough-In
	TSU01W.14	UniFit - 14" Rough-In

Product Number Explanations

One-Piece Toilet

(MS) Toilet & Seat Combination
(874) Toilet Model
(114) Seat Model
(S) G-Max®
(G) SanaGloss®

Colors

(#01) Cotton
(#03) Bone
(#04) Gray
(#11) Colonial White
(#12) Sedona Beige
(#51) Ebony

One-Piece Toilet

(CST) Gravity Type Toilet
(874) Model
(S) G-Max®
(G) SanaGloss®

Finishes

(#BN) Brushed Nickel
(#CP) Chrome Plated
(#PN) Polished Nickel