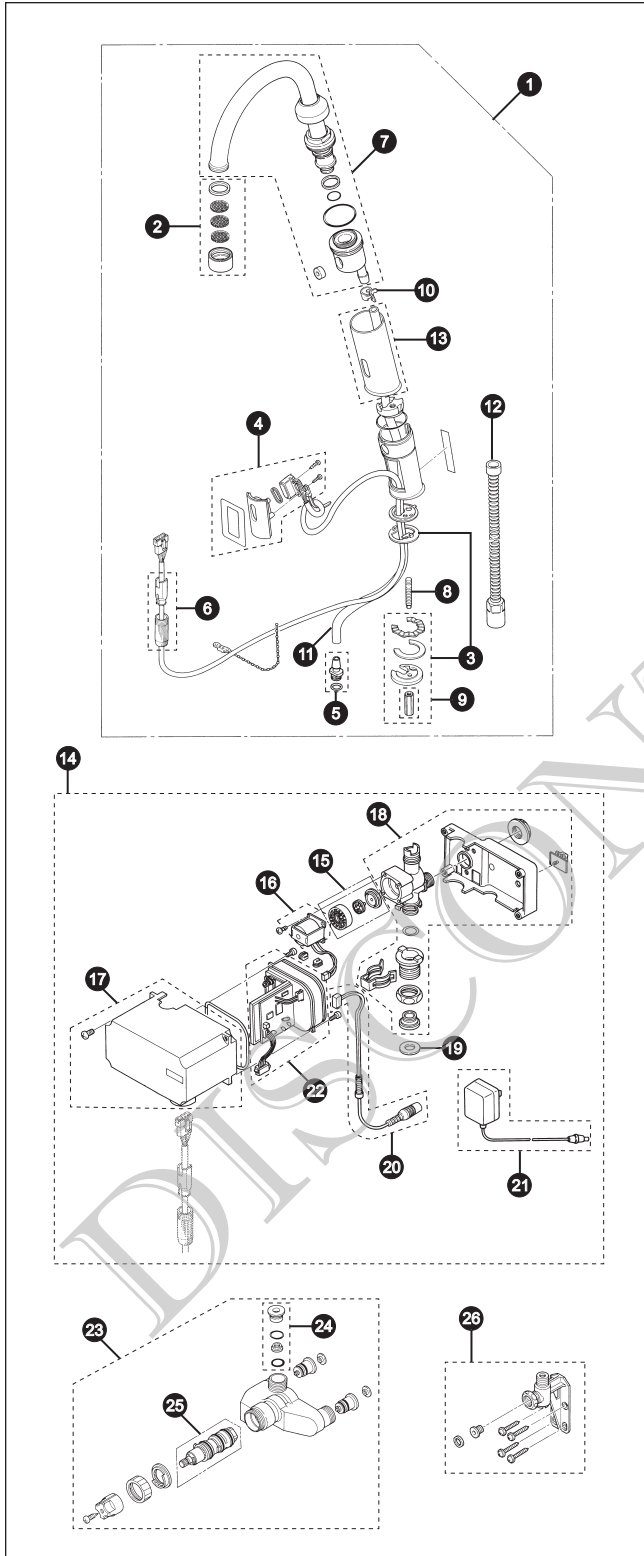


TEL5ABC-10

TEL5ABC-10
TEL50BV1

Sensor Faucet, Gooseneck Spout AC Powered (12V, DC) Thermal Mixing



Item	Part	Description	Price
1	TEL30BV7	Spout Assembly - Gooseneck	\$318.26
2	TH559EDV195	Nozzle Assembly (Gooseneck Spout)	\$20.03
3	TH559EDV244	Spout Mounting Kit (Lock Washer & Spout Nut)	\$16.69
4	TH559EDV227	Sensor Eye Assembly (Gooseneck Spout)	\$71.22
5	TH559EDV217	Spout Bushing Assembly	\$5.56
6	TH559EDV221	Cable Sleeve Assembly	\$6.68
7	TH559EDV215	Spout Assembly - Gooseneck	\$93.48
8	62223SR	Spout Mounting Bolts (5 pieces)	\$17.80
9	TH559EDV222	Spout Nuts (Gooseneck & Regular)(5 pieces)	\$12.24
10	TH559EDV193	Nozzle Clips (5 pieces)	\$6.68
11	92685	Connection Hose (Gooseneck Spout)	\$2.23
12	40920T3	Flexible Tube	\$67.88
13	41270	Spout Cover	\$27.82
14	TH653ECV1	Control Box AC Type - 10 Sec.	\$391.71
15	TH653-1	Self-Cleaning Diaphragm & Cap	\$11.13
16	TH559EDV196	Solenoid ("AA" Battery)	\$90.14
17	TH559EDV213	Control Box AC Case Cover	\$22.26
18	TH559EDV214	Rear Cover & Valve Assembly	\$46.74
19	TH559EDV194	Control Box Washers (10 Pieces)	\$6.68
20	56058T2	Transformer Jack for AC	\$20.03
21	55041T1	Transformer for AC	\$72.33
22	55054T1R	Circuit Board - 10 Second	\$244.82
23	TH653S1V1	Thermal Mixing Assembly	\$196.97
24	TH559EDV226	Flow Restrictor Assembly	\$16.69
25	TH653S1	Thermal Mixing Cartridge	\$137.99
26	TN75RV1	Water Inlet Bracket Assembly	\$151.34
27	TN71V1	Obsolete. Cover Plate - 4"	
28	71244T8CC	Cover Plate - 8"	\$58.00

Notes

Order Spout Nuts TH559EDV222 until depleted, then order TH559EDV403.
TEL50BV1 is the TOTO Ltd. Number for TEL5ABC-10.

Product Number Explanations

Sensor Faucet
(T) Fitting
(E) Electronic
(L) Lavatory
(S) Thermal Mixing
(A) AC Type
(B) Gooseneck Spout
(C) Chrome Finish
(10) 10 Second