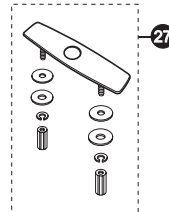
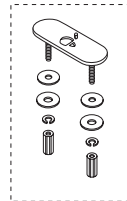
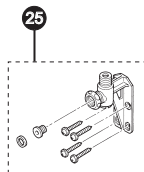
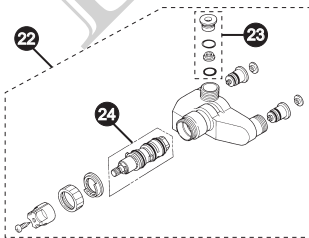
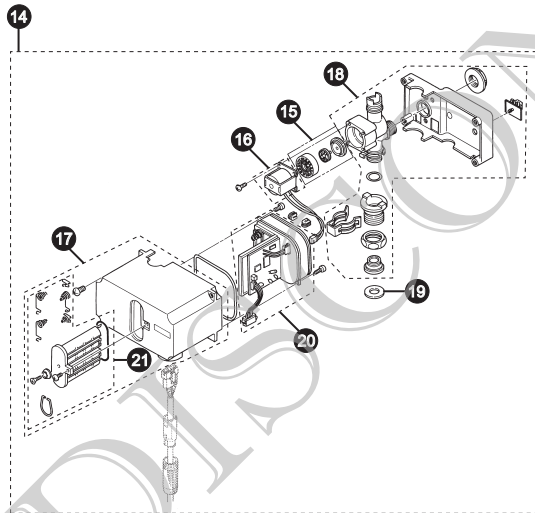
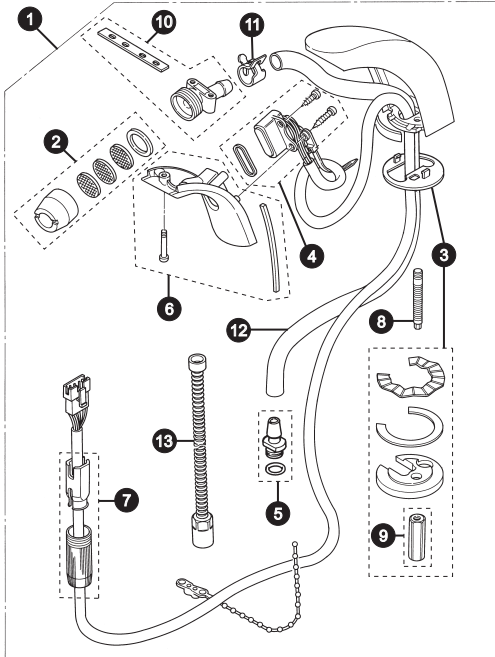


# TEL5DAC-10

TEL5DAC-10  
TEL50ADV1

## Sensor Faucet, Standard Spout Battery Powered (6V, DC) Thermal Mixing



| Item | Part        | Description                                  | Price    |
|------|-------------|--|----------|
| 1    | TEL30AV19   | Spout Assembly - Standard Faucet             | \$242.59 |
| 2    | TH559EDV219 | Nozzle Assembly (Regular Spout)              | \$12.24  |
| 3    | TH559EDV244 | Spout Mounting Kit (Lock Washer & Spout Nut) | \$16.69  |
| 4    | TH559EDV234 | Sensor Eye Assembly (Regular Spout)          | \$53.41  |
| 5    | TH559EDV217 | Spout Bushing Assembly                       | \$5.56   |
| 6    | TH559EDV220 | Spout Cover Plate Assembly                   | \$20.03  |
| 7    | TH559EDV221 | Cable Sleeve Assembly                        | \$6.68   |
| 8    | 62223SR     | Spout Mounting Bolts (5 pieces)              | \$17.80  |
| 9    | TH559EDV222 | Spout Nuts (Gooseneck & Regular)(5 pieces)   | \$12.24  |
| 10   | TH559EDV223 | Nozzle Bushings (5 pieces)                   | \$35.61  |
| 11   | TH559EDV193 | Nozzle Clips (5 pieces)                      | \$6.68   |
| 12   | 92685T2     | Connection Hose (Regular Spout)              | \$33.38  |
| 13   | 40920T3     | Flexible Tube                                | \$67.88  |
| 14   | TH653EC1V1  | Control Box DC Type - 10 Sec.                | \$366.11 |
| 15   | TH653-1     | Self-Cleaning Diaphragm & Cap                | \$11.13  |
| 16   | TH559EDV196 | Solenoid ("AA" Battery)                      | \$90.14  |
| 17   | TH559EDV216 | Control Box DC Case Cover                    | \$44.51  |
| 18   | TH559EDV214 | Rear Cover & Valve Assembly                  | \$46.74  |
| 19   | TH559EDV194 | Control Box Washers (10 Pieces)              | \$6.68   |
| 20   | 55054T1R    | Circuit Board - 10 Second                    | \$244.82 |
| 21   | TH653EC1V3  | Battery Case Assembly                        | \$25.59  |
| 22   | TH653S1V1   | Thermal Mixing Assembly                      | \$196.97 |
| 23   | TH559EDV226 | Flow Restrictor Assembly                     | \$16.69  |
| 24   | TH653S1     | Thermal Mixing Cartridge                     | \$137.99 |
| 25   | TN75RV1     | Water Inlet Bracket Assembly                 | \$151.34 |
| 26   | TN71V1      | Obsolete. Cover Plate - 4"                   |          |
| 27   | 71244T8CC   | Cover Plate - 8"                             | \$58.00  |

### Notes

Order Spout Nuts TH559EDV222 until depleted, then order TH559EDV403.

### Product Number Explanations

**Sensor Faucet**  
(T) Fitting  
(E) Electronic  
(L) Lavatory  
(S) Thermal Mixing  
(D) DC Type  
(A) Regular Spout  
(C) Chrome Finish  
(10) 10 Second