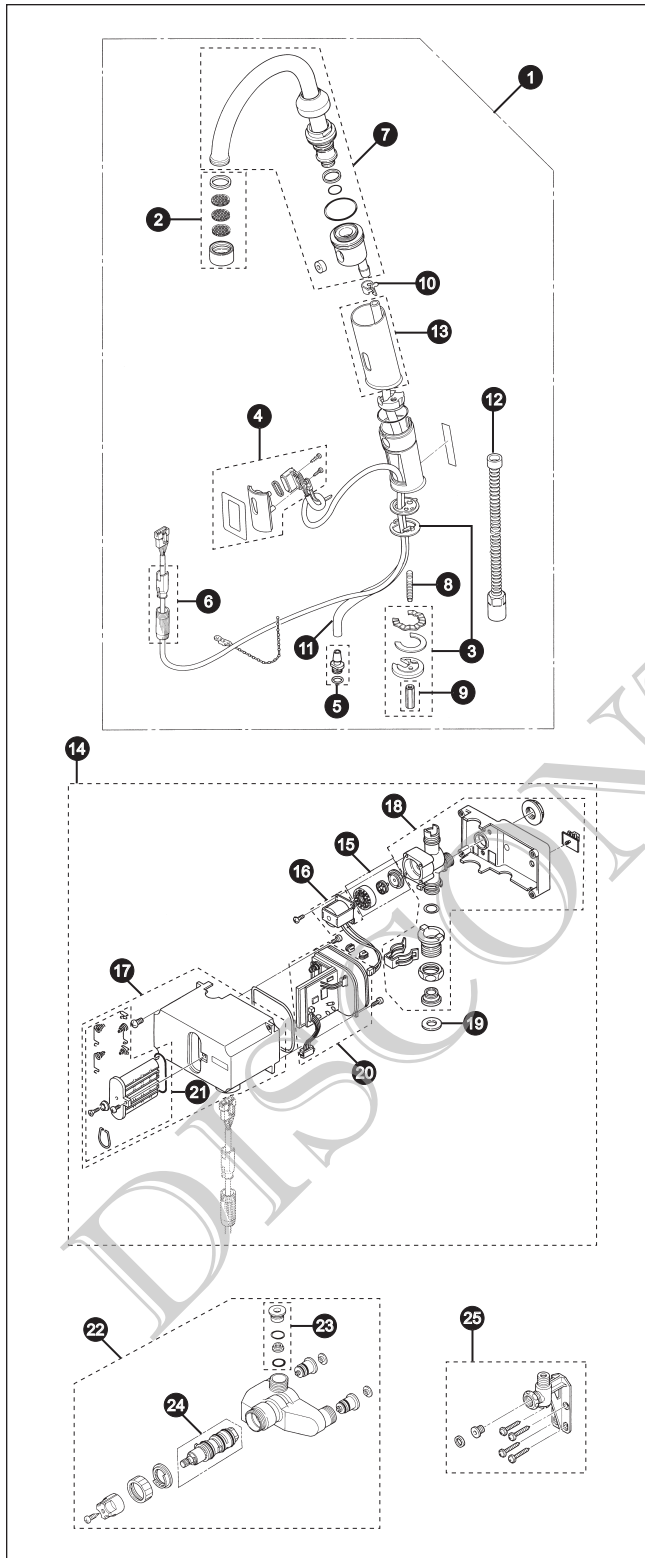


Sensor Faucet, Gooseneck Spout Battery Powered (6V, DC) Thermal Mixing



Item	Part	Description	Price
1	TEL30BV7	Spout Assembly - Gooseneck	\$318.26
2	TH559EDV195	Nozzle Assembly (Gooseneck Spout)	\$20.03
3	TH559EDV244	Spout Mounting Kit (Lock Washer & Spout Nut)	\$16.69
4	TH559EDV227	Sensor Eye Assembly (Gooseneck Spout)	\$71.22
5	TH559EDV217	Spout Bushing Assembly	\$5.56
6	TH559EDV221	Cable Sleeve Assembly	\$6.68
7	TH559EDV215	Spout Assembly - Gooseneck	\$93.48
8	62223SR	Spout Mounting Bolts (5 pieces)	\$17.80
9	TH559EDV222	Spout Nuts (Gooseneck & Regular)(5 pieces)	\$12.24
10	TH559EDV193	Nozzle Clips (5 pieces)	\$6.68
11	92685	Connection Hose (Gooseneck Spout)	\$2.23
12	40920T3	Flexible Tube	\$67.88
13	41270	Spout Cover	\$27.82
14	TH653EC1V2	Control Box DC Type - 60 Sec.	\$412.85
15	TH653-1	Self-Cleaning Diaphragm & Cap	\$11.13
16	TH559EDV196	Solenoid ("AA" Battery)	\$90.14
17	TH559EDV216	Control Box DC Case Cover	\$44.51
18	TH559EDV214	Rear Cover & Valve Assembly	\$46.74
19	TH559EDV194	Control Box Washers (10 Pieces)	\$6.68
20	55054T5	Circuit Board - 60 Second	\$252.61
21	TH653EC1V3	Battery Case Assembly	\$25.59
22	TH653S1V1	Thermal Mixing Assembly	\$196.97
23	TH559EDV226	Flow Restrictor Assembly	\$16.69
24	TH653S1	Thermal Mixing Cartridge	\$137.99
25	TN75RV1	Water Inlet Bracket Assembly	\$151.34
26	TN71V1	Obsolete. Cover Plate - 4"	
27	71244T8CC	Cover Plate - 8"	\$58.00

Notes

Order Spout Nuts TH559EDV222 until depleted, then order TH559EDV403.

Product Number Explanations

Sensor Faucet
 (T) Fitting
 (E) Electronic
 (L) Lavatory
 (S) Thermal Mixing
 (D) DC Type
 (B) Gooseneck Spout
 (C) Chrome Finish
 (60) 60 Second