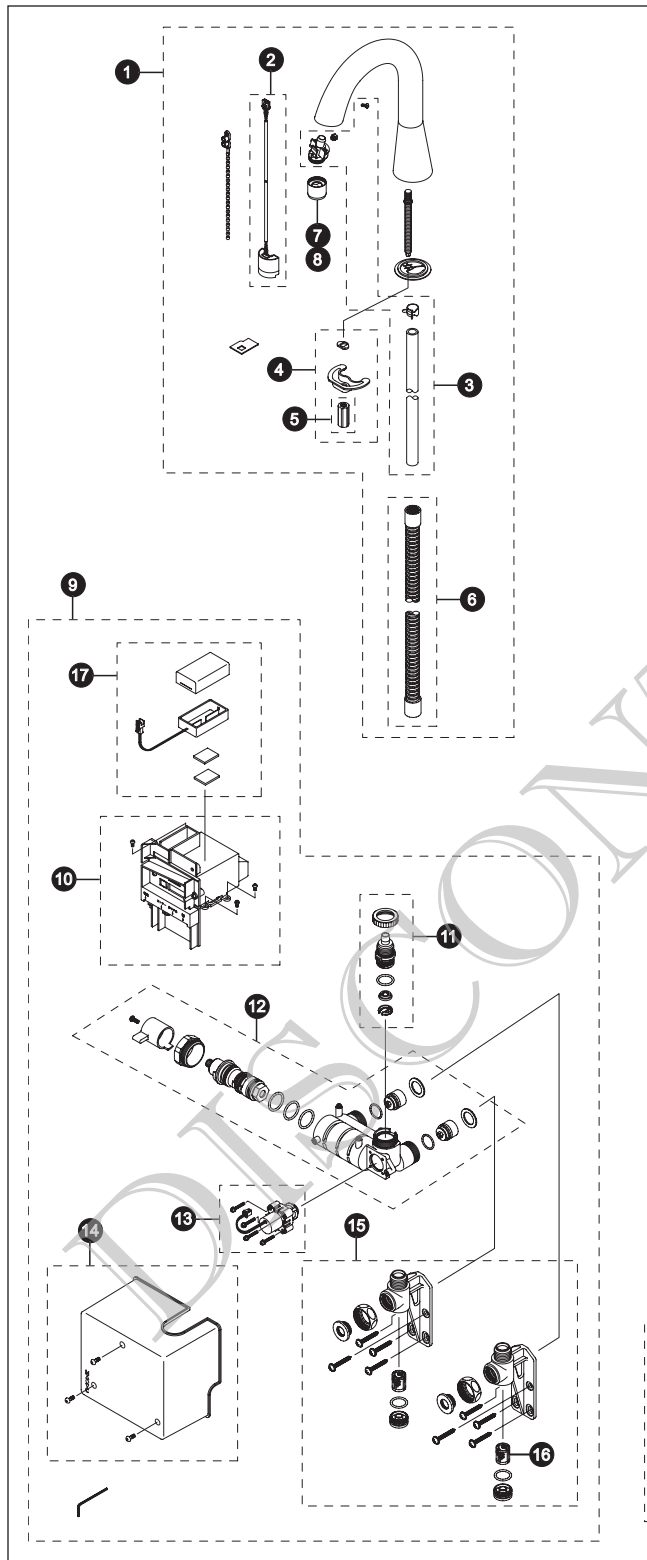


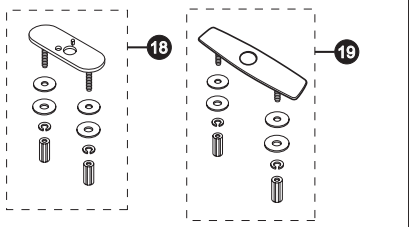
# TEL5DGC-10

TEL5DGC-10  
 TEL76GV100 (Spout)  
 TN78-10V110 (Thermo)

## Sensor Faucet, Gooseneck Spout Battery Powered (3V, DC) Thermal Mixing



Item	Part	Description
1	TEL76GV100	Spout Assembly - Gooseneck
2	TH559EDV405	Sensor
3	TH559EDV406	Nozzle Bushing Set
4	TH559EDV402	Spout Mounting Kit
5	TH559EDV403	Spout Nuts (Gooseneck & Regular)(5 pieces)
6	TH559EDV404	Flexible Tube (Regular Spout)
7	TH559EDV401	Nozzle Assembly Set (Aerator Flow Type)
8	TH559EDV432	Nozzle Assembly Set (Laminar Flow Type)
9	TN78-10V110	Thermo Mixing Assembly
10	TH559EDV430	Thermal Battery Control Unit 10 sec.
11	TH559EDV420	Bushing Assembly
12	TH559EDV426	Thermal Mixing Valve
13	TH559EDV427	Solenoid & Diaphragm Assembly
14	TH559EDV428	Control Cover Set
15	TH559EDV429	Mounting Bracket Set
16	TH559EDV256	Metal Strainer Screen
17	TH559EDV421	Battery Case
18	TN71V100R	Cover Plate - 4"
19	71244T8CC	Cover Plate - 8"



### Product Number Explanations

**Sensor Faucet**  
 (T) Fitting  
 (E) Electronic  
 (L) Lavatory  
 (S) Thermal Mixing  
 (D) DC Type  
 (G) Gooseneck Spout  
 (C) Chrome Finish  
 (10) 10 Second