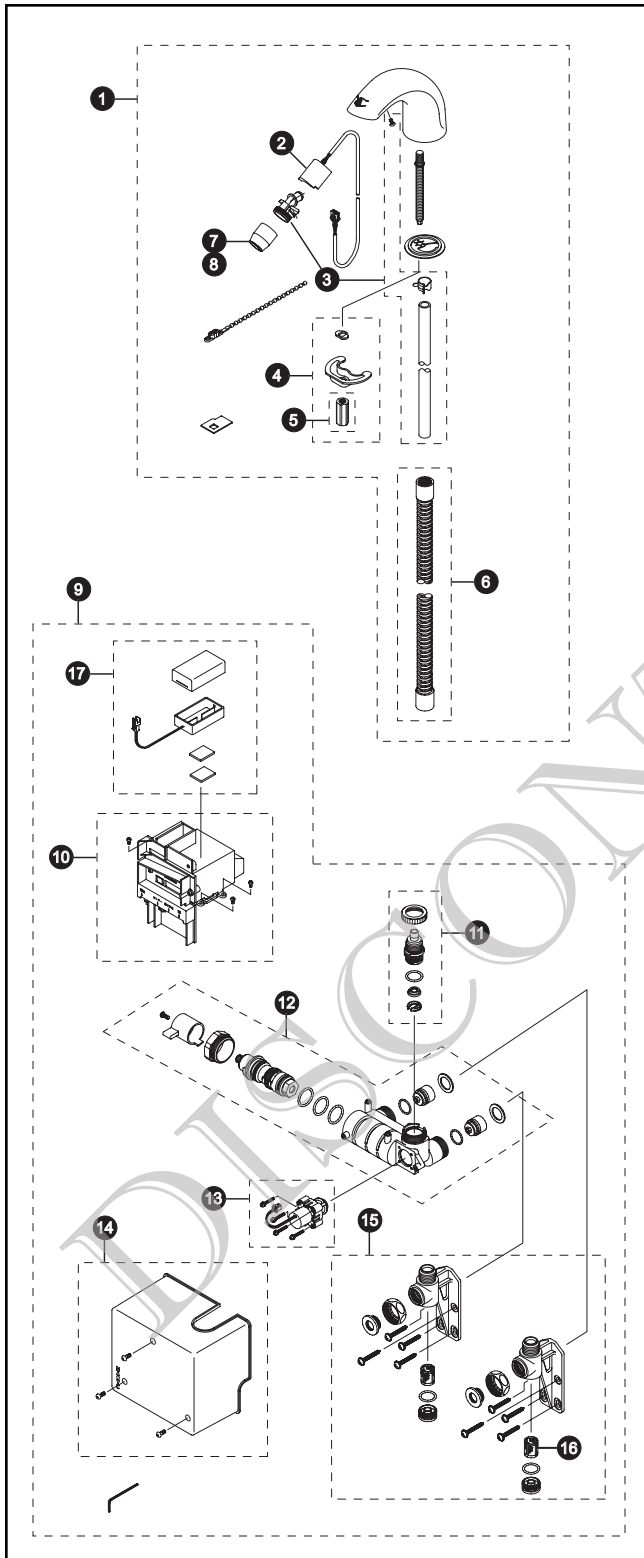


TEL5DSC-60  
 TEL70AV100 (Spout)  
 TN78-10V160 (Thermo)

**Sensor Faucet, Standard Spout  
 Battery Powered (3V, DC)  
 Thermal Mixing**



Item	Part	Description
1	TEL70AV100	Spout Assembly
2	TH559EDV405	Sensor
3	TH559EDV400	Nozzle Bushing Set
4	TH559EDV402	Spout Mounting Kit
5	TH559EDV403	Spout Nuts (Gooseneck & Regular) (5 pieces)
6	TH559EDV404	Flexible Tube (Regular Spout)
7	TH559EDV401	Nozzle Assembly Set (Aerator Flow Type)
8	TH559EDV432	Nozzle Assembly Set (Laminar Flow Type)
9	TN78-10V160	Thermo Mixing Assembly
10	TH559EDV431	Thermal Battery Control Unit 60 sec.
11	TH559EDV420	Bushing Assembly
12	TH559EDV426	Thermal Mixing Valve
13	TH559EDV427	Solenoid & Diaphragm Assembly
14	TH559EDV428	Control Cover Set
15	TH559EDV429	Mounting Bracket Set
16	TH559EDV256	Strainer
17	TH559EDV421	Battery Case
18	TN71V100	Cover Plate - 4" (Obsolete). Use TN71V100R.
19	71244T8CC	Cover Plate - 8"

**Product Number Explanations**

- Faucet**  
 (T) Fitting  
 (E) Electronic  
 (L) Lavatory  
 (S) Thermal Mixing  
 (D) DC Type  
 (S) Standard Spout  
 (C) Chrome Finish  
 (60) 60 Second

