

TOTO®

TL960SD Soirée® Single-handle Lavatory Faucet



TL960SD - Soirée® Single-handle Lavatory Faucet

LifeKoat®

TOTO® uses a state-of-the-art plating process, called LifeKoat®, that gives faucets durability. The LifeKoat® ionic plating procedure covers the entire faucet with a special finish that:

- Prevents corrosion
- Improves scratch resistance
- Increases hardness

- Clean, elegant design to complement the Soirée® design Suite
- Durable finishes
- Brass valve bodies
- Ceramic disk valve cartridge for drip-free performance
- Pop-up drain

Decorative single-handle lavatory faucet to match the Soirée® design Suite. 2.2 gpm (8.3 lpm) maximum flow rate (Per regulation).

■ TL960SD#CP

Soirée® single-handle lavatory faucet, polished chrome finish.

□ TL960SD#PB

Soirée® single-handle lavatory faucet, LifeKoat® polished brass finish.

□ TL960SD#BN

Soirée® single-handle lavatory faucet, LifeKoat® brushed nickel finish.

□ TL960SD#PN

Soirée® single-handle lavatory faucet, LifeKoat® polished nickelfinish.

□ TL960SD#BL

Soirée® single-handle lavatory faucet, LifeKoat® black nickel finish.

□ TL960SD#RS

Soirée® single-handle lavatory faucet, LifeKoat® rose bronze finish.

* Not recommended for Pacifica Lavatory (LPT908N, LPT908.4N, and LPT908.8N)

Finishes:

Standard Polished Chrome
Optional LifeKoat® Polished Brass
LifeKoat® Brushed Nickel
LifeKoat® Polished Nickel
LifeKoat® Black Nickel
LifeKoat® Rose Bronze



See Price Book for additional information

TL960SD

Soirée® Single-handle Lavatory Faucet

DESIGN

Designed to match the Soirée® Suite of fixtures and fittings, Soirée® faucets can complement any distinctive bath suite. Made from cast brass with washerless ceramic disk valve cartridges, these faucets are durable and offer drip-free performance.

SPECIFICATIONS

Flow Rate: 2.2 gpm (8.3 lpm)
maximum flow rate

Warranty: Lifetime Limited Warranty
(Residential use)
One Year (Commercial use)

Material: Cast Brass

Shipping Weight: **Individual** 6 lbs.
Case (Qty 3) 18 lbs.

Shipping Dimensions: **Individual**
20-1/2"L x 9-3/4"W
x 3-1/2"H
Case (Qty 3)
21-1/4"L x 10-1/2"W
x 11-1/4"H

CODES/STANDARDS

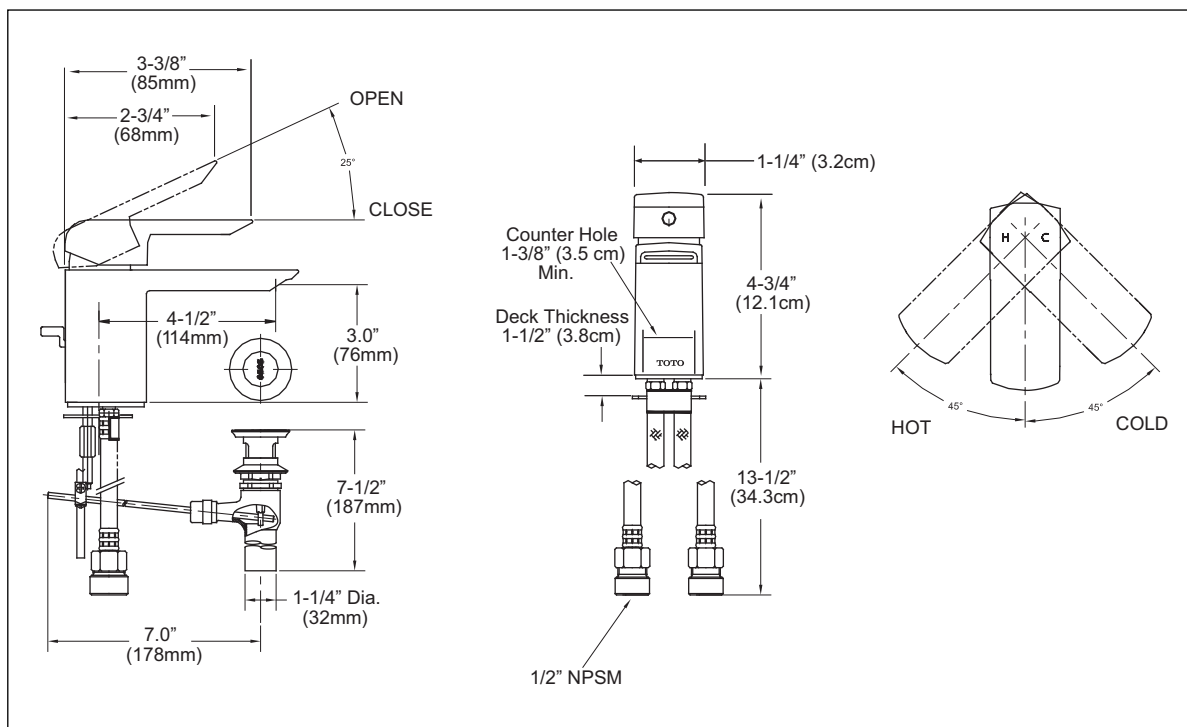
Complies with and exceeds the following standards:
ASME A112.18.1M / CSA B125-2005
NSF 61

Listed by:
IAPMO / C-UPC, NSF and other municipalities



Meets the American Disabilities Act Guidelines and ANSI A117.1

These dimensions and specifications are subject to change without notice.



TL960SD - Soirée® Single-lever Lavatory Faucet

TOTO®

TOTO® U.S.A., INC. • 1155 Southern Road, Morrow, GA 30260
Tel. (888) 295-8134 • Fax. (800) 699-4889 • www.totousa.com
Printed in U.S.A. © TOTO® LTD. 01/06 #J10142

Printed on recycled paper

REV 11/08