

Soirée® 3 Hole Deck Bath Valve

FEATURES

- Durable bronze construction
- Washerless ceramic disk valve cartridge
- Accommodates 8" -16" spread

CODES/STANDARDS

- Meets or exceeds ASME A112.18.1/CSA B125.1
- Certifications: IAPMO(cUPC), State of Massachusetts, City of Los Angeles, and others
- Code Compliance: UPC, IPC, NSPC, NPC Canada, and others



PRODUCT SPECIFICATION

The 3 hole deck back valve shall have a durable bronze construction. Deck bath valve shall have washerless ceramic disk valve cartridge. Product shall be for 8 to 16 inch installations. Deck bath valve shall be TOTO Model TB6T.

TB6T

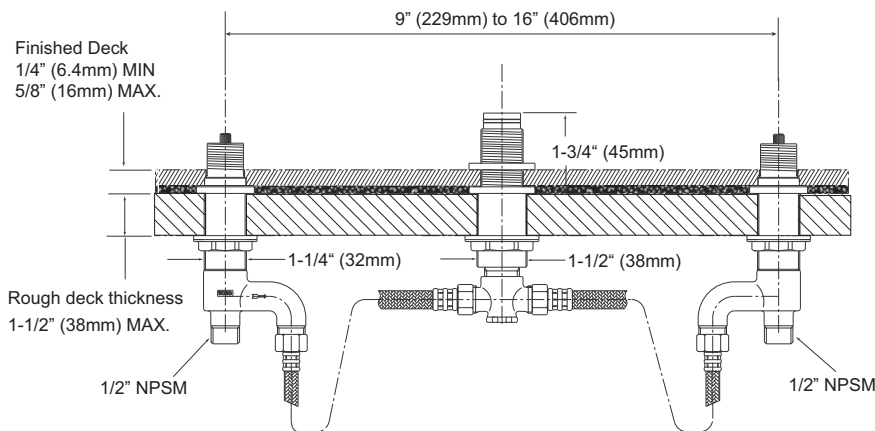
Soirée® 3 Hole Deck Bath Valve

SPECIFICATIONS

- Warranty Lifetime Limited Warranty (Residential Use)
One Year (Commercial Use)
- Material Brass
- Shipping Weight 11.2 lbs.
- Shipping Dimensions 21-1/4" L x 10-1/2" W x 11-1/4" H

INSTALLATION NOTES

BATH TRIM REQUIRED:
Soiree® 3 hole deck bath trim, model TB960DD#CP sold separately.



IMPORTANT NOTE: This valve/trim can only be installed in a built-up deck. It cannot be installed on pre-finished deck or on tub rim.

TOTO®

These dimensions and specifications are subject to change without notice