

TOTO®

MS874114S(G)

Carlyle® One-Piece Toilet, 1.6GPF

FEATURES

- G-Max® flushing system, (1.6GPF/6.0LPF)
- Optional SanaGloss® ceramic glaze - SanaGloss glaze prevents debris and mold from sticking to ceramic surfaces, leading to fewer chemicals and less water in cleaning.
- One-piece decorative high profile skirted toilet
- Elongated front bowl with SoftClose® seat (SS114)
- 12" Unifit rough-in (included), less supply
- Chrome trip lever

MODELS

- MS874114SG (#01, #03, #11, #12 only, with SanaGloss)
- MS874114S (#51 only, less SanaGloss)
- TSU01W.10 - 10" Unifit rough-in (sold separately)
- TSU01W.14 - 14" Unifit rough-in (sold separately)

COLORS/FINISHES

- Standard
 - #01 Cotton
 - #03 Bone
 - #11 Colonial White
 - #12 Sedona Beige
 - #51 Ebony (not available with SanaGloss)



SanaGloss

G-MAX
FLUSHING SYSTEM BY TOTO®

PRODUCT SPECIFICATION

The one-piece low consumption G-Max flushing system toilet shall be 1.6GPF/6.0LPF. wToilet shall be of skirted design with high-profile tank, elongated front bowl with SoftClose seat and Chrome trip lever. Toilet shall have optional SanaGloss ceramic glaze. Toilet shall be TOTO Model MS874114S_____.

CODES/STANDARDS

- Meets and exceeds ASME A112.19.2/CSA B45.1
- Certifications: IAPMO(cUPC), State of Massachusetts, City of Los Angeles, and others
- Code compliance: UPC, IPC, NSPC, NPC Canada, and others



MS874114S(G)

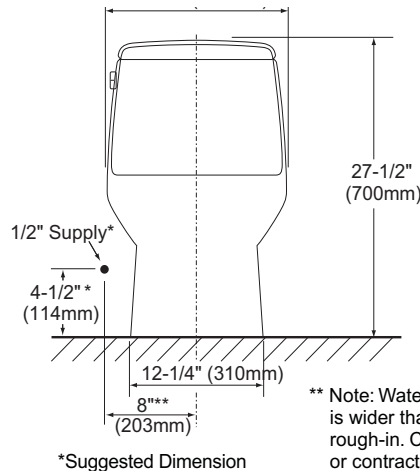
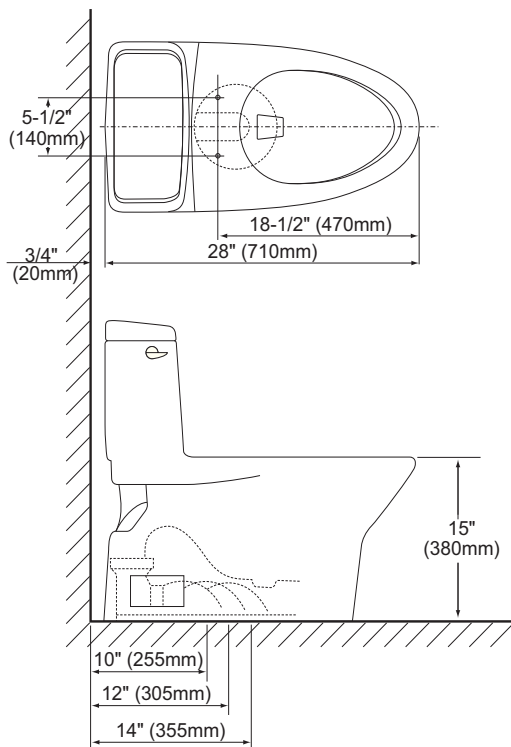
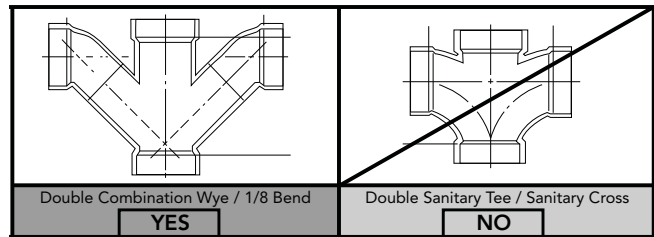
Carlyle® One-Piece Toilet, 1.6GPF

SPECIFICATIONS

- Water Use 1.6 GPF/6.0LPF
- Flush System G-Max®
- Min. Water Pressure 8 psi (static)
- Water Surface 10" x 8-1/4"
- Trap Diameter 2-1/8"
- Rough-in 12" (Standard), 10", 14"
- Trap Seal 2-5/8"
- Warranty One Year Limited Warranty
- Material Vitreous china
- Shipping Weight 108 lbs.
- Shipping Dimensions 29-1/2" L x 18"W x 19-1/4" H1 x 27-1/8" H2

INSTALLATION NOTES

Back-to-Back Toilet Installations:
 TOTO recommends the use of a nationally listed, double sanitary tee-wye only, in vertical waste stacks, in accordance with the stipulations noted in the majority of nationally recognized plumbing codes.



These dimensions and specifications are subject to change without notice