

# TOTO®

Perfection by Design

## LPT590/LPT510 Prominence Pedestal & Wall Mount Lavatories



LPT590.4



LPT510



- 25½" x 21¼"
- Beautiful design with elegant curves
- Luxury wash basin
- Rear overflow

Vitreous china pedestal and wall mount lavatory combinations. Mounting assembly complete with wall hangers and pair of straps with screws.

■ **LPT590**  
Pedestal lavatory with single hole.

■ **LPT590.4**  
Pedestal lavatory with 4" centers.

■ **LPT590.8**  
Pedestal lavatory with 8" centers.

■ **LPT510**  
Wall mount lavatory with single hole.

■ **LPT510.4**  
Wall mount lavatory with 4" centers.

■ **LPT510.8**  
Wall mount lavatory with 8" centers.

□ **LT510**  
Lavatory only with single hole.

□ **LT510.4**  
Lavatory only with 4" centers.

□ **LT510.8**  
Lavatory only with 8" centers.

□ **PT239**  
Pedestal only with mounting assembly, complete. Includes pedestal support brackets.

□ **PT511**  
Shroud only with mounting assembly, complete. Includes shroud support brackets.

*Colors:*

*Standard* #01 Cotton

*Optional* See price book for additional colors

*Faucet Not Included*

# LPT590/LPT510

## Prominence Pedestal & Wall Mount Lavatories

### DESIGN

Beautiful lavatory design with elegant curves on a tapered pedestal or sleek shroud. Prominence series pedestal and wall mount lavatories are designed to match the Prominence Series One Piece Toilets.

### SPECIFICATIONS

Waste: 1<sup>1</sup>/<sub>4</sub>" O.D.  
 Size: 25<sup>3</sup>/<sub>4</sub>" x 21<sup>1</sup>/<sub>4</sub>"  
 Basin: 16<sup>7</sup>/<sub>8</sub>" x 13<sup>1</sup>/<sub>4</sub>"  
 Height: Floor to Rim 31<sup>1</sup>/<sub>2</sub>"  
 Warranty: Five Year Limited Warranty  
 Material: Vitreous china lavatory and pedestal/shroud

Shipping Weight: **LT510 / LT510.4 / LT510.8**

46 lbs.

**PT239**

20 lbs.

**PT511**

15 lbs.

Shipping Dimensions: **LT510 / LT510.4 / LT510.8**

27<sup>1</sup>/<sub>8</sub>"L x 19<sup>5</sup>/<sub>8</sub>"W x 10"H

**PT239**

25<sup>3</sup>/<sub>4</sub>"L x 9<sup>7</sup>/<sub>8</sub>"W x 10"H

**PT511**

14"L x 13<sup>3</sup>/<sub>4</sub>"W x 14<sup>1</sup>/<sub>8</sub>"H

Fixture dimensions meet ANSI/ASME standard A112.19.2M and CAN/CSA B 45 requirements.

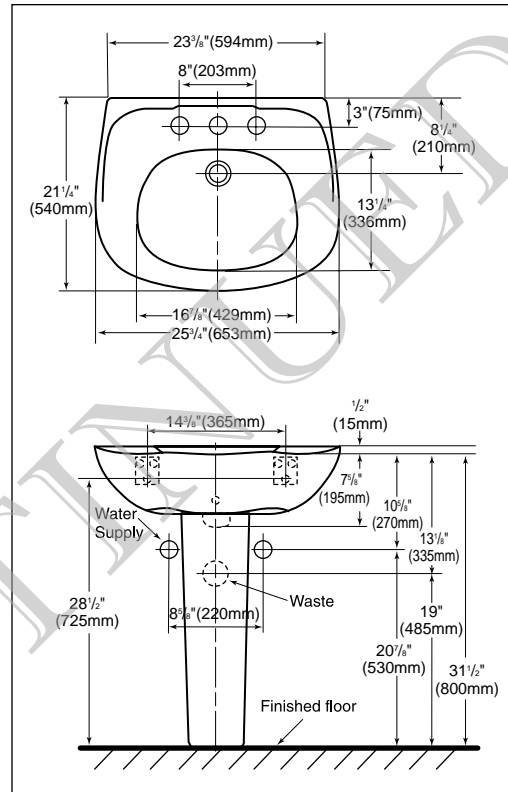
Listing / Approvals: IAPMO/UPC, CSA, City of Los Angeles, State of Massachusetts, and others.



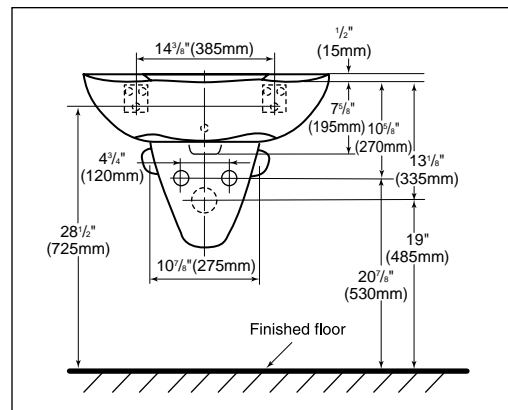
(Model: LPT510 / LPT510.4 / LPT510.8)

Meets the American Disabilities Act Guidelines and ANSI A117.1 requirements when countertop installed 864mm (34") from finished floor and lavatory installed 51mm (2") minimum from the front edge.

These dimensions and specifications are subject to change without notice.



LPT590.8 (LT510.8 AND PT239)



LPT510 (LT510.8 AND PT511)