

## Dartmouth® Pedestal Lavatory

### FEATURES

- 22-7/8" x 16-15/16"
- Traditional styling
- 34" Universal Height for maximum comfort
- Rear overflow
- Vitreous china pedestal and lavatory combination complete with mounting hardware

### MODELS

- LPT640  
Pedestal lavatory with single hole
- LPT640.4  
Pedestal lavatory with 4" faucet centers
- LPT640.8  
Pedestal lavatory with 8" faucet centers
- Available Components:  
LT640  
Lavatory with single hole  
  
LT640.4  
Lavatory with 4" faucet centers  
  
LT640.8  
Lavatory with 8" faucet centers  
  
PT640  
Pedestal only, with mounting hardware

### COLORS/FINISHES

- #01 Cotton



Faucet sold separately

### CODES/STANDARDS

- Meets and exceeds ASME A112.19.2/CSA B45.1
- Certifications: IAPMO(cUPC), State of Massachusetts, City of Los Angeles, and others
- Code compliance: UPC, IPC, NSPC, NPC Canada, and others



### PRODUCT SPECIFICATION

The lavatory shall be 22-7/8" width and 16-15/16" depth. The basin shall be 18-1/2" width by 11" depth. The lavatory shall be made of vitreous china and be 34" universal height with rear overflow. Lavatory shall be TOTO Model LPT640\_\_\_\_\_.

# LPT640

## Dartmouth® Pedestal Lavatory

### SPECIFICATIONS

- Waste 1-1/4" O.D.
- Size 22-7/8" W x 16-15/16" D
- Basin 18-1/2" W x 11" D
- Height: Floor to Rim 34"
- Warranty One Year Limited Warranty
- Material Vitreous china
- Shipping Weight LT640/LT640.4/LT640.8 35 lbs.

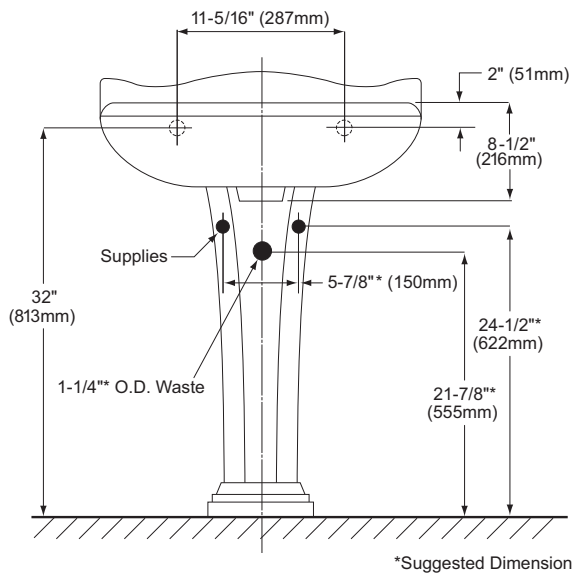
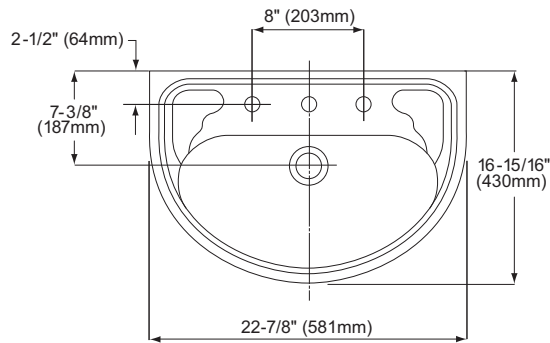
PT640  
18 lbs.

- Shipping Dimensions LT640/LT640.4/LT640.8 23-1/4" L x 18-1/2" W x 11-7/8" H

PT640  
23-1/4" L x 7-7/8" W x 6-7/8" H

### INSTALLATION NOTES

Requires PT640 pedestal for support. Use proper back support to mount product.



**TOTO®**

*These dimensions and specifications are subject to change without notice*