

## Carrollton® Pedestal Lavatory

### FEATURES

- 24" x 19"
- Classic styling
- 34" Universal Height for maximum comfort
- Rear overflow
- Vitreous china pedestal and lavatory combination complete with mounting hardware

### MODELS

- LPT770  
Pedestal lavatory with single hole
- LPT770.4  
Pedestal lavatory with 4" faucet centers
- LPT770.8  
Pedestal lavatory with 8" faucet centers
- Available Components:  
LT770  
Lavatory with single hole  
  
LT770.4  
Lavatory with 4" faucet centers  
  
LT770.8  
Lavatory with 8" faucet centers  
  
PT770  
Pedestal only, with mounting hardware

### COLORS/FINISHES

- #01 Cotton
- #03 Bone
- #11 Colonial White
- #12 Sedona Beige
- #51 Ebony



Faucet sold separately

### CODES/STANDARDS

- Meets and exceeds ASME A112.19.2/CSA B45.1
- Certifications: IAPMO(cUPC), State of Massachusetts, City of Los Angeles, and others
- Code compliance: UPC, IPC, NSPC, NPC Canada, and others



### PRODUCT SPECIFICATION

The lavatory shall be 24" width and 19" depth. The basin shall be 17-3/4" by 11-3/4". The lavatory shall be made of vitreous china and be 34" universal height with rear overflow. Lavatory shall be TOTO Model LPT770\_\_\_\_\_.

# LPT770

## Carrollton® Pedestal Lavatory

### SPECIFICATIONS

- Waste 1-1/4" O.D.
- Size 24" W x 19" D
- Basin 17-3/4" x 11-3/4"
- Height: Floor to Rim 34"
- Warranty One Year Limited Warranty
- Material Vitreous china
- Shipping Weight LT770/LT770.4/LT770.8 51 lbs.

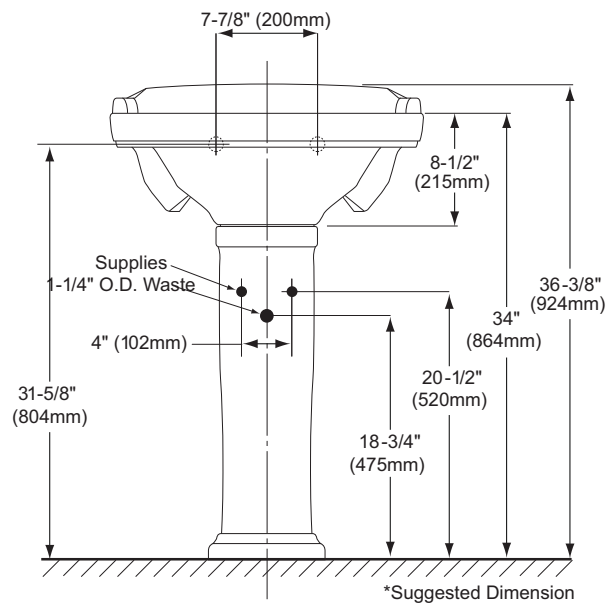
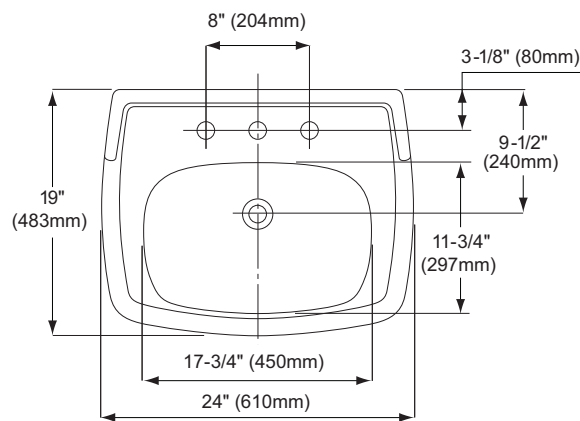
PT770  
25 lbs.

- Shipping Dimensions LT770/LT770.4/LT770.8 26" L x 20-5/8" W x 11-3/4" H

PT770  
26-3/4" L x 10-3/8" W x  
10-5/8" H

### INSTALLATION NOTES

Requires PT770 pedestal for support. Use proper back support to mount product.



**TOTO®**

*These dimensions and specifications are subject to change without notice*