

# TOTO®

Perfection by Design

## LPT299/LPT219 Supreme Pedestal & Wall Mount Lavatories



LPT299.4



LPT219



- 22<sup>7</sup>/<sub>8</sub>" x 19<sup>5</sup>/<sub>8</sub>"
- Slender, space saving design
- Deep bowl for comfortable use
- Rear overflow

Vitreous china pedestal and wall mount lavatory combinations. Mounting assembly complete with wall hangers and pair of straps with screws.

■ **LPT299**  
Pedestal lavatory with single hole.

■ **LPT299.4**  
Pedestal lavatory with 4" centers.

■ **LPT299.8**  
Pedestal lavatory with 8" centers.

■ **LPT219**  
Wall mount lavatory with single hole.

■ **LPT219.4**  
Wall mount lavatory with 4" centers.

■ **LPT219.8**  
Wall mount lavatory with 8" centers.

□ **LT239**  
Lavatory only with single hole.

□ **LT239.4**  
Lavatory only with 4" centers.

□ **LT239.8**  
Lavatory only with 8" centers.

□ **PT239**  
Pedestal only with mounting assembly, complete.

□ **PT511**  
Shroud only with mounting assembly, complete.

*Colors:*

*Standard #01 Cotton*

*Optional See price book for additional colors*

*Faucet Not Included*

# LPT299/LPT219

## Supreme Pedestal & Wall Mount Lavatories

### DESIGN

Slender, space saving lavatory on a tapered pedestal or sleek shroud. Supreme pedestal and wall mount lavatories are designed to match the Supreme Series One Piece Toilets.

### SPECIFICATIONS

Waste: 1<sup>1</sup>/<sub>4</sub>" O.D.  
 Size: 22<sup>7</sup>/<sub>8</sub>" x 19<sup>5</sup>/<sub>8</sub>"  
 Basin: 20<sup>1</sup>/<sub>2</sub>" x 13<sup>1</sup>/<sub>8</sub>"  
 Height: Floor to Rim 31<sup>1</sup>/<sub>2</sub>"  
 Warranty: Five Year Limited Warranty  
 Material: Vitreous china lavatory and pedestal/shroud

Shipping Weight: **LT239 / LT239.4 / LT239.8**  
 33.5 lbs.

**PT239**

20 lbs.

**PT511**

15 lbs.

Shipping Dimensions: **LT239 / LT239.4 / LT239.8**  
 25"L x 22<sup>1</sup>/<sub>4</sub>"W x 11<sup>3</sup>/<sub>8</sub>"H

**PT239**

25<sup>3</sup>/<sub>4</sub>"L x 9<sup>7</sup>/<sub>8</sub>"W x 10"H

**PT511**

14"L x 13<sup>3</sup>/<sub>4</sub>"W x 14<sup>1</sup>/<sub>8</sub>"H

Fixture dimensions meet ANSI/ASME standard A112.19.2M and CAN/CSA-B 45 requirements.

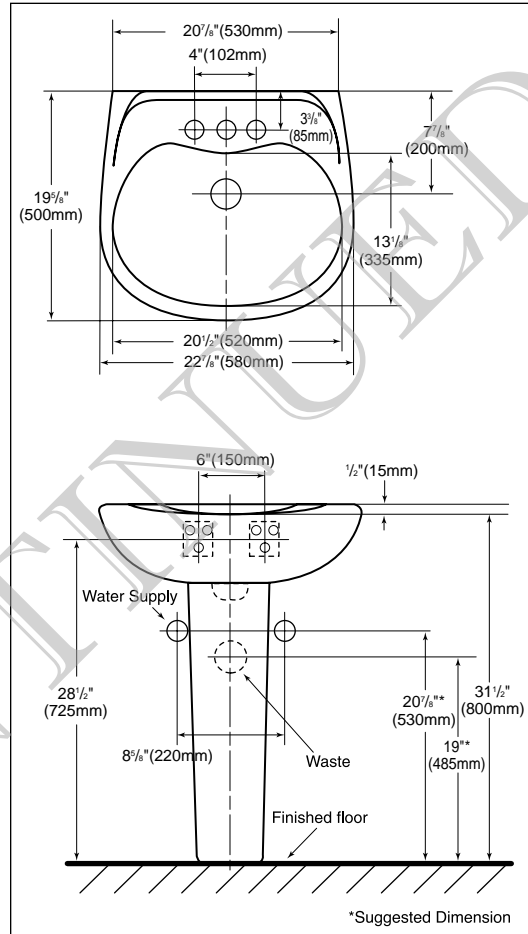
Listing / Approvals: IAPMO/UPC, CSA, City of Los Angeles, State of Massachusetts, and others.



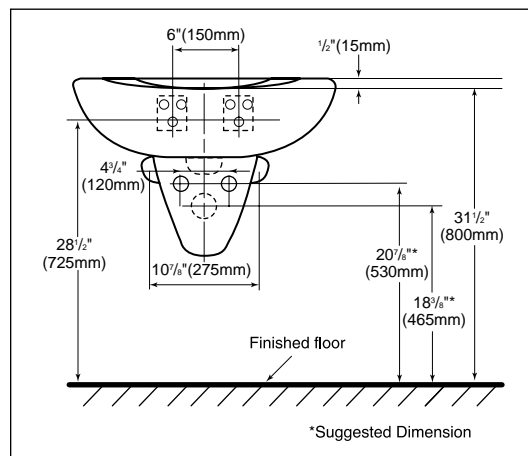
(Model: LPT219 / LPT219.4 / LPT219.8)

Meets the American Disabilities Act Guidelines and ANSI A117.1 requirements when countertop installed 864mm (34") from finished floor and lavatory installed 51mm (2") minimum from the front edge.

These dimensions and specifications are subject to change without notice.



LPT299.4 (LT239.4 and PT239)



LPT219.4 (LT239.4 and PT511)

**TOTO**<sup>®</sup>  
 Perfection by Design

TOTO U.S.A., INC. • 1155 Southern Road, Morrow, GA 30260  
 Tel. (770) 282-8686 • Fax. (770) 282-8701 • www.totousa.com  
 Printed in U.S.A. © TOTO LTD. 8/00

Printed on recycled paper

REV 4/00